

# 5800 Sampler Pump Heater

## Installation Instructions



Instruction Sheet 69-4703-150  
Revision D, February 1, 2016

### Overview

This instruction sheet describes the steps to install the optional pump heater inside the pump cover of both the 5800 and 4700 Samplers. The heater prevents liquid from freezing inside the pump under extremely cold conditions.

#### Note

The heater prevents liquid from freezing only inside the pump housing cover. In extremely cold climates, you must also route the suction line correctly to prevent liquid from freezing in the suction line. The suction line must have a continuous slope. Do not allow loops or low spots in the line where liquid can remain between samples. (This general practice applies to all climates to prevent sample cross-contamination.)

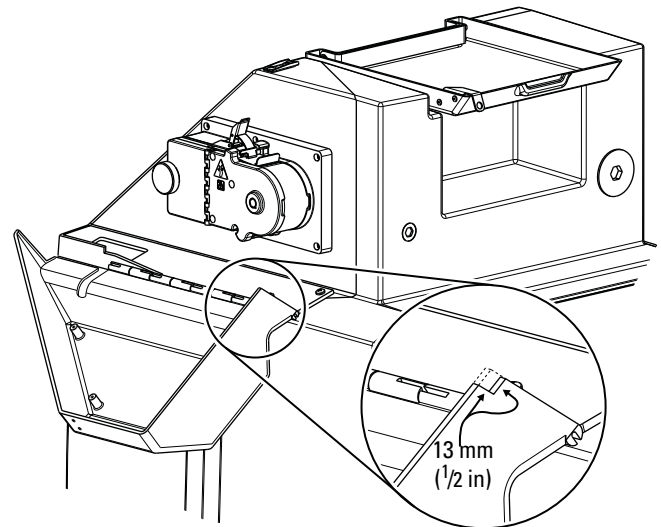
### Required Parts and Tools

- Heater Installation Kits
  - 68-4700-104 for 115 VAC Samplers
  - 68-5800-060 for 230 VAC Samplers
- #2 Phillips screwdriver
- Hack saw
- Fine sand paper or file

### Installation

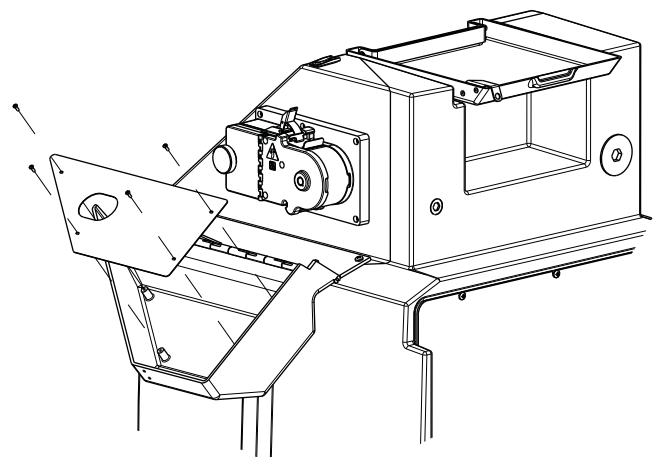
The Heater Installation Kit includes a heater, a heat shield, self-tapping screws, and a clip to secure the AC line cord. To install the kit:

1. Refer to Figure 1. If a notch is not present, cut a notch in the pump cover with a hack saw or similar tool. Use sand paper or a file to remove burrs and smooth the cut edge.



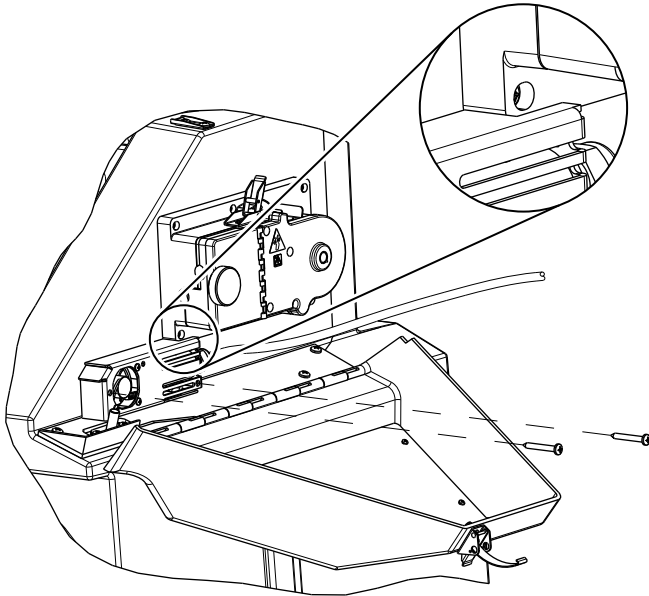
**Figure 1:** Cut a notch in the top cover for the AC line cord to pass through

2. Fit the heat shield inside the pump cover as shown in Figure 2. Secure the shield with the four #6 $\times$ <sup>3</sup>/<sub>8</sub>" self-tapping screws.



**Figure 2:** Install heat shield inside cover

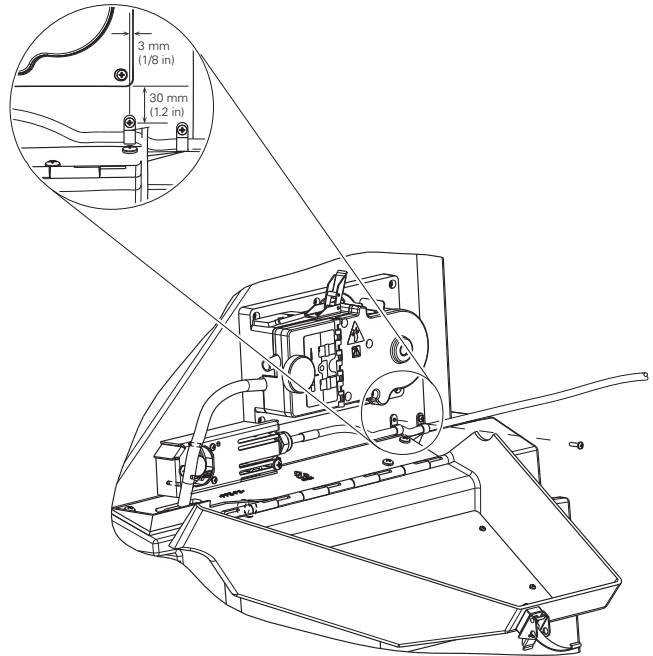
3. Temporarily close the pump cover to check the heat shield alignment. The hole in the shield must fit over the large knob on the pump assembly. If the shield hits the knob, loosen the four screws and adjust the shield. Tighten the screws when the alignment is correct.
4. Position the heater on the sampler as shown in Figure 3. Align the edges of the slot in the heater against the lower left corner of the pump assembly.



**Figure 3: Install heater under pump**

5. Secure the heater in place with the two #14×2" self-tapping screws. Tighten the screws until fully seated.

6. Refer to Figure 4 and secure the AC line cord with the clip and the #8×<sup>5</sup>/<sub>8</sub>" self-tapping screw.



**Figure 4: Install line cord clip** just inside the notch in the cover.

### Assistance Available

Should you need assistance with these instructions, contact Teledyne Isco.

*Last modified February 1, 2016*

### Teledyne Isco

P.O. Box 82531, Lincoln, Nebraska, 68501 USA  
Toll-free: (866) 298-6174 • Phone: (402) 464-0231 • Fax: (402) 465-3001  
E-mail: [IscoService@teledyne.com](mailto:IscoService@teledyne.com)

Teledyne Isco is continually improving its products and reserves the right to change product specifications, replacement parts, schematics, and instructions without notice.

